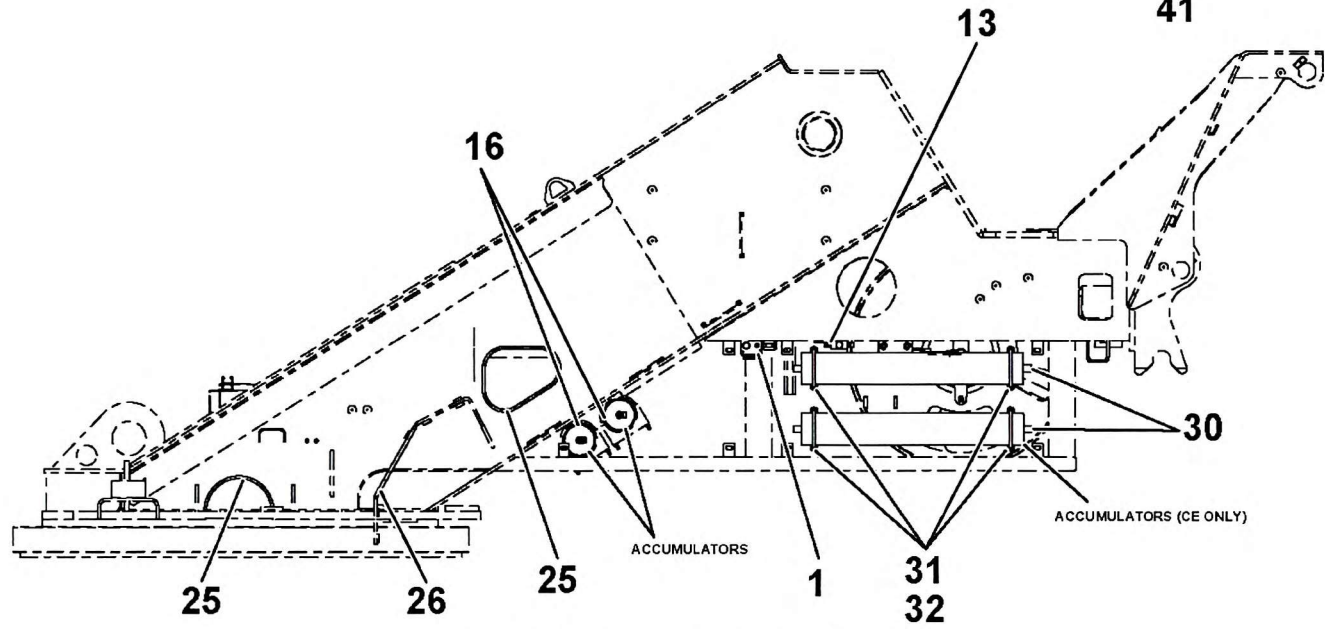


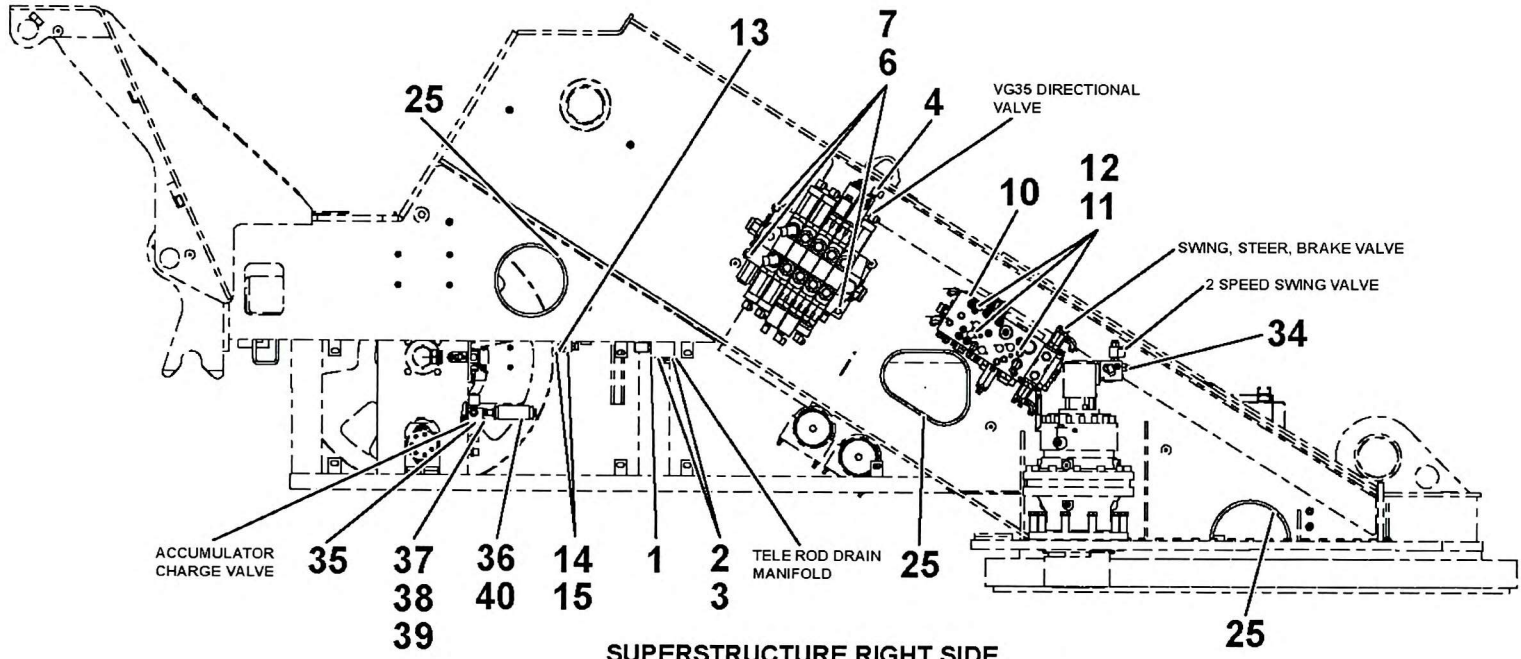
VIEW A-A



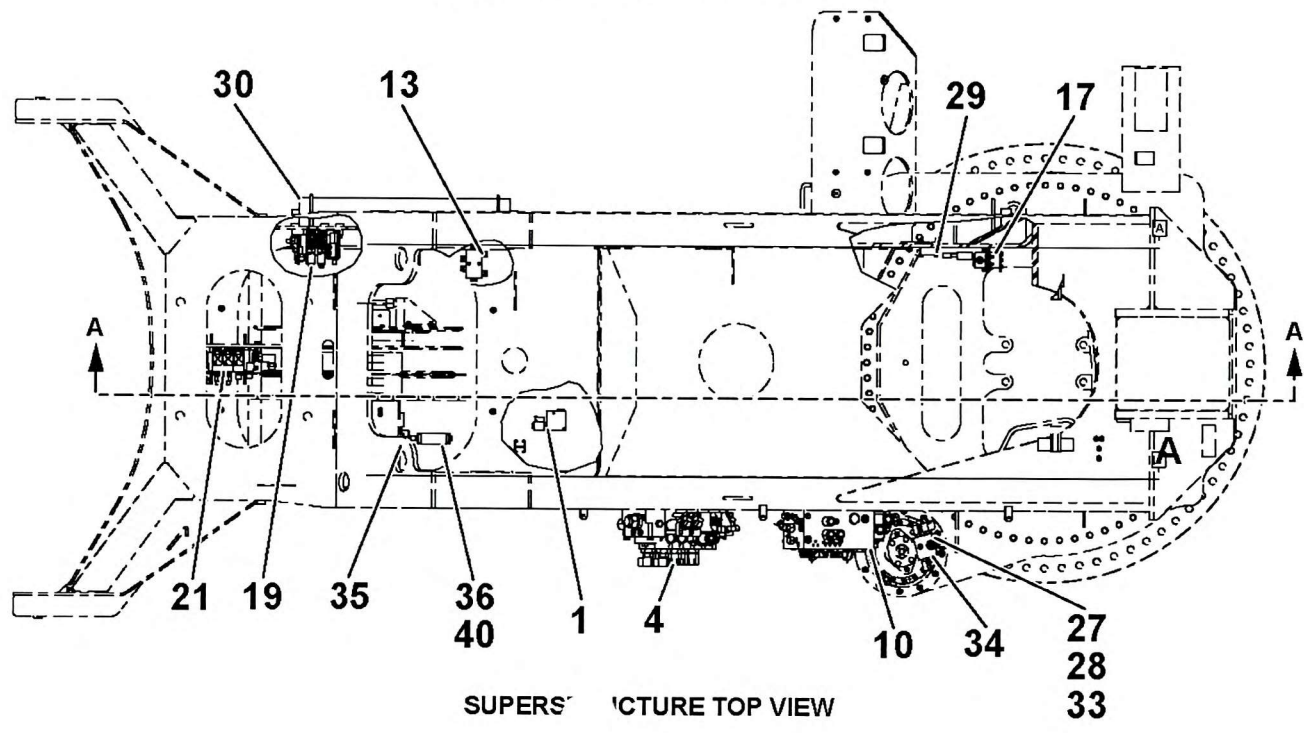
SUPERSTRUCTURE LEFT VIEW

(SHEET 2 OF 2)

80021473



SUPERSTRUCTURE RIGHT SIDE



SUPERSTRUCTURE TOP VIEW